

Mass hierarchies in string theory and experimental signatures

I. Antoniadis^{*†}

Department of Physics

CERN - Theory Unit

1211 Geneva 23, Switzerland

E-mail: ignatios.antoniadis@cern.ch

Lowering the string scale in the TeV region provides a theoretical framework for solving the mass hierarchy problem and unifying all interactions. The apparent weakness of gravity can then be accounted by the existence of large internal dimensions, in the submillimeter region, and transverse to a braneworld where our universe must be confined. I review the main properties of this scenario and its experimental implications.

Proceedings of the Corfu Summer Institute 2011 School and Workshops on Elementary Particle Physics and Gravity

September 4-18, 2011

Corfu, Greece

^{*}Speaker.

[†]On leave from CPHT (UMR CNRS 7644) Ecole Polytechnique, F-91128 Palaiseau.

1. Introduction

During the last few decades, physics beyond the Standard Model (SM) was guided from the problem of mass hierarchy. This can be formulated as the question of why gravity appears to us so weak compared to the other three known fundamental interactions corresponding to the electromagnetic, weak and strong nuclear forces. Indeed, gravitational interactions are suppressed by a very high energy scale, the Planck mass $M_P \sim 10^{19}$ GeV, associated to a length $l_P \sim 10^{-35}$ m, where they are expected to become important. In a quantum theory, the hierarchy implies a severe fine tuning of the fundamental parameters in more than 30 decimal places in order to keep the masses of elementary particles at their observed values. The reason is that quantum radiative corrections to all masses generated by the Higgs vacuum expectation value are proportional to the ultraviolet cutoff which in the presence of gravity is fixed by the Planck mass. As a result, all masses are “attracted” to about 10^{16} times heavier than their observed values.

Besides compositeness, there are two main theories that have been proposed and studied extensively during the last years, corresponding to different approaches of dealing with the mass hierarchy problem. (1) Low energy supersymmetry with all superparticle masses in the TeV region. Indeed, in the limit of exact supersymmetry, quadratically divergent corrections to the Higgs self-energy are exactly cancelled, while in the softly broken case, they are cutoff by the supersymmetry breaking mass splittings. (2) TeV scale strings, in which quadratic divergences are cutoff by the string scale and low energy supersymmetry is not needed. Both ideas are experimentally testable at high-energy particle colliders and in particular at LHC.

2. Strings and extra dimensions

The appropriate and most convenient framework for low energy supersymmetry and grand unification is the perturbative heterotic string. Indeed, in this theory, gravity and gauge interactions have the same origin, as massless modes of the closed heterotic string, and they are unified at the string scale M_s . As a result, the Planck mass is predicted to be proportional to M_s :

$$M_P = M_s/g, \quad (2.1)$$

where g is the gauge coupling. In the simplest constructions all gauge couplings are the same at the string scale, given by the four-dimensional (4d) string coupling, and thus no grand unified group is needed for unification. In our conventions $\alpha_{\text{GUT}} = g^2 \simeq 0.04$, leading to a discrepancy between the string and grand unification scale M_{GUT} by almost two orders of magnitude. Explaining this gap introduces in general new parameters or a new scale, and the predictive power is essentially lost. This is the main defect of this framework, which remains though an open and interesting possibility.

The other other perturbative framework that has been studied extensively in the more recent years is type I string theory with D-branes. Unlike in the heterotic string, gauge and gravitational interactions have now different origin. The latter are described again by closed strings, while the former emerge as excitations of open strings with endpoints confined on D-branes [1]. This leads to a braneworld description of our universe, which should be localized on a hypersurface, i.e. a membrane extended in p spatial dimensions, called p -brane (see Fig. 1). Closed strings propagate

in all nine dimensions of string theory: in those extended along the p -brane, called parallel, as well as in the transverse ones. On the contrary, open strings are attached on the p -brane. Obviously,

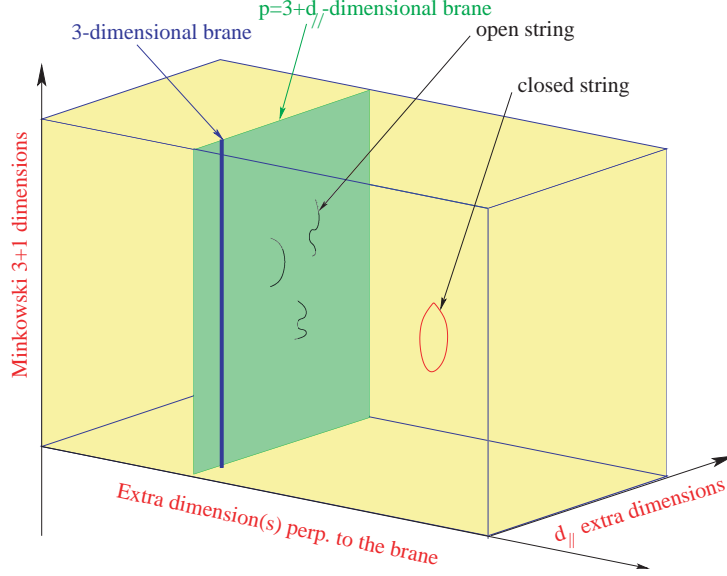


Figure 1: D-brane world universe in type I string framework.

our p -brane world must have at least the three known dimensions of space. But it may contain more: the extra $d_{||} = p - 3$ parallel dimensions must have a finite size, in order to be unobservable at present energies, and can be as large as $\text{TeV}^{-1} \sim 10^{-18} \text{ m}$ [2]. On the other hand, transverse dimensions interact with us only gravitationally and experimental bounds are much weaker: their size should be less than about 0.1 mm [3]. In the following, I review the main properties and experimental signatures of low string scale models [4].

2.1 Framework of low scale strings

In type I theory, the different origin of gauge and gravitational interactions implies that the relation between the Planck and string scales is not linear as (2.1) of the heterotic string. The requirement that string theory should be weakly coupled, constrain the size of all parallel dimensions to be of order of the string length, while transverse dimensions remain unrestricted. Assuming an isotropic transverse space of $n = 9 - p$ compact dimensions of common radius R_{\perp} , one finds:

$$M_P^2 = \frac{1}{g_s^2} M_s^{2+n} R_{\perp}^n, \quad g_s \simeq g^2. \quad (2.2)$$

where g_s is the string coupling. It follows that the type I string scale can be chosen hierarchically smaller than the Planck mass [5, 4] at the expense of introducing extra large transverse dimensions felt only by gravity, while keeping the string coupling small [4]. The weakness of 4d gravity compared to gauge interactions (ratio M_W/M_P) is then attributed to the largeness of the transverse space R_{\perp} compared to the string length $l_s = M_s^{-1}$.

An important property of these models is that gravity becomes effectively $(4+n)$ -dimensional with a strength comparable to those of gauge interactions at the string scale. The first relation of

Eq. (2.2) can be understood as a consequence of the $(4+n)$ -dimensional Gauss law for gravity, with $M_*^{(4+n)} = M_s^{2+n}/g^4$ the effective scale of gravity in $4+n$ dimensions. Taking $M_s \simeq 1$ TeV, one finds a size for the extra dimensions R_\perp varying from 10^8 km, .1 mm, down to a Fermi for $n = 1, 2$, or 6 large dimensions, respectively. This shows that while $n = 1$ is excluded, $n \geq 2$ is allowed by present experimental bounds on gravitational forces [3, 6]. Thus, in these models, gravity appears to us very weak at macroscopic scales because its intensity is spread in the “hidden” extra dimensions. At distances shorter than R_\perp , it should deviate from Newton’s law, which may be possible to explore in laboratory experiments (see Fig. 2).

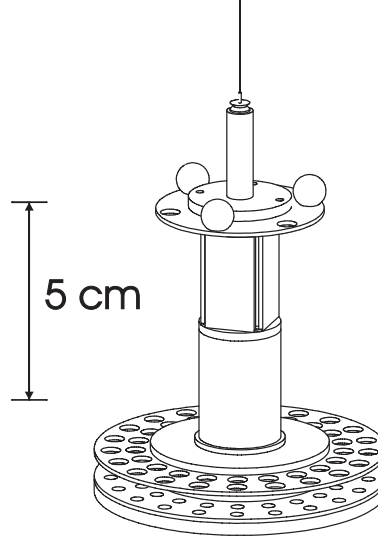


Figure 2: Torsion pendulum that tested the validity of Newton’s law at $55 \mu\text{m}$.

3. Large number of species

Here, we open a parenthesis to describe that low scale gravity with large extra dimensions is actually a particular case of a more general framework, where the ultraviolet (UV) cutoff is lower than the Planck scale due to the existence of a large number of particle species coupled to gravity [7]. Indeed, it was shown that the effective UV cutoff M_* is given by

$$M_*^2 = M_P^2/N, \quad (3.1)$$

where the counting of independent species N takes into account all particles which are not broad resonances, having a width less than their mass. The derivation is based on black hole evaporation but here we present a shorter argument using quantum information storage [8]. Consider a pixel of size L containing N species storing information. The energy required to localize N wave functions is then given by N/L , associated to a Schwarzschild radius $R_s = N/LM_P^2$. The latter must be less than the pixel size in order to avoid the collapse of such a system to a black hole, $R_s \leq L$, implying a minimum size $L \geq L_{min}$ with $L_{min} = \sqrt{N}/M_P$ associated precisely to the effective UV cutoff $M_* = L_{min}$ given in eq. (3.1). Imposing $M_* \simeq 1$ TeV, one should then have $N \sim 10^{32}$ particle species below about the TeV scale!

In the string theory context, there are two ways of realizing such a large number a particle species by lowering the string scale at a TeV:

1. In large volume compactifications with the SM localized on D-brane stacks, as described in the previous section. The particle species are then the Kaluza-Klein (KK) excitations of the graviton (and other possible bulk modes) associated to the large extra dimensions, given by $N = R_{\perp}^n l_s^n$, up to energies of order $M_* \simeq M_s$.
2. By introducing an infinitesimal string coupling $g_s \simeq 10^{-16}$ with the SM localized on Neveu-Schwarz NS5-branes in the framework of little strings [9]. In this case, the particle species are the effective number of string modes that contribute to the black hole bound [10]: $N = 1/g_s^2$ and gravity does not become strong at $M_s \sim \mathcal{O}(\text{TeV})$.

Note the both TeV string realizations above are compatible with the general expression (2.2), but in the second case there is no relation between the string and gauge couplings.

4. Experimental implications in accelerators

We now turn to the experimental predictions of TeV scale strings. Their main implications in particle accelerators are of three types, in correspondence with the three different sectors that are generally present:

1. New compactified parallel dimensions; In this case $RM_s \gtrsim 1$, and the associated compactification scale R_{\parallel}^{-1} would be the first scale of new physics that should be found increasing the beam energy [2, 11]. The main consequence is the existence of KK excitations for all SM particles that propagate along the extra parallel dimensions. These can be produced on-shell at LHC as new resonances [12] (see Fig. 3).
2. New extra large transverse dimensions and low scale quantum gravity,. The main experimental signal is gravitational radiation in the bulk from any physical process on the world-brane [13]. The resulting bounds are given in Table 1.

Table 1: Limits on R_{\perp} in mm.

Experiment	$n = 2$	$n = 4$	$n = 6$
LEP 2	5×10^{-1}	2×10^{-8}	7×10^{-11}
Tevatron	5×10^{-1}	10^{-8}	4×10^{-11}
LHC	4×10^{-3}	6×10^{-10}	3×10^{-12}

3. Genuine string and quantum gravity effects. Direct production of string resonances in hadron colliders leads generically to a universal deviation from Standard Model in jet distribution [14]. In particular, the first Regge excitation of the gluon has spin 2 and a width an order of magnitude lower than the string scale, leading to a characteristic peak in dijet production; similarly, the first excitations of quarks have spin 3/2. The dijet cross-section is

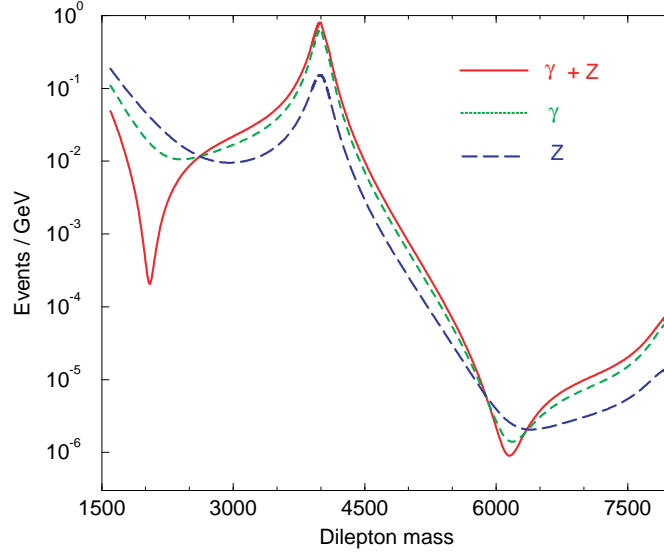


Figure 3: Production of the first KK modes of the photon and of the Z boson at LHC, decaying to electron-positron pairs. The number of expected events is plotted as a function of the energy of the pair in GeV.

shown in Fig. 4 for LHC energies. Concerning possible micro-black hole production, note that a string size black hole has a horizon radius $r_H \sim 1$ in string units, while the Newton's constant behaves as $G_N \sim g_s^2$. It follows that the mass of a d -dimensional black hole is [15]: $M_{\text{BH}} \sim r_H^{d/2-1}/G_N \simeq 1/g_s^2$. Using the value of the SM gauge couplings $g_s \simeq g^2 \sim 0.1$, one finds that the energy threshold M_{BH} of micro-black hole production is about four orders of magnitude higher than the string scale, implying that one would produce 10^4 string states before reaching M_{BH} .

Acknowledgments

Work supported in part by the European Commission under the ERC Advanced Grant 226371 and the contract PITN-GA-2009-237920.

References

- [1] C. Angelantonj and A. Sagnotti, *Phys. Rept.* **371** (2002) 1 [Erratum-ibid. **376** (2003) 339] [arXiv:hep-th/0204089].
- [2] I. Antoniadis, *Phys. Lett. B* **246** (1990) 377.
- [3] D. J. Kapner, T. S. Cook, E. G. Adelberger, J. H. Gundlach, B. R. Heckel, C. D. Hoyle and H. E. Swanson, *Phys. Rev. Lett.* **98** (2007) 021101.
- [4] N. Arkani-Hamed, S. Dimopoulos and G. R. Dvali, *Phys. Lett. B* **429** (1998) 263 [arXiv:hep-ph/9803315]; I. Antoniadis, N. Arkani-Hamed, S. Dimopoulos and G. R. Dvali, *Phys. Lett. B* **436** (1998) 257 [arXiv:hep-ph/9804398].

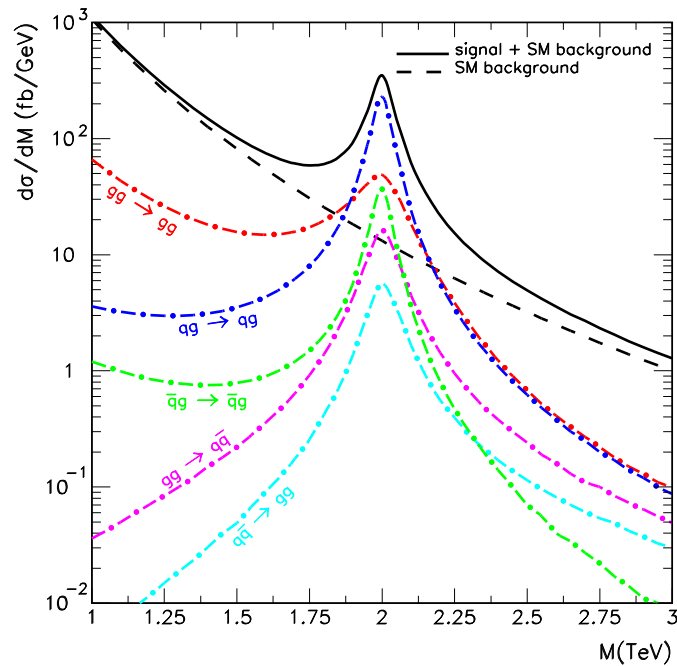


Figure 4: Production of the first Regge excitations at LHC in the dijet channel, for $M_s = 2$ TeV. The cross-section is plotted as a function of the dijet invariant mass M .

- [5] J. D. Lykken, *Phys. Rev. D* **54** (1996) 3693 [arXiv:hep-th/9603133].
- [6] J.C. Long and J.C. Price, *Comptes Rendus Physique* **4** (2003) 337; R.S. Decca, D. Lopez, H.B. Chan, E. Fischbach, D.E. Krause and C.R. Jamell, *Phys. Rev. Lett.* **94** (2005) 240401; R.S. Decca et al., arXiv:0706.3283 [hep-ph]; S.J. Smullin, A.A. Geraci, D.M. Weld, J. Chiaverini, S. Holmes and A. Kapitulnik, arXiv:hep-ph/0508204; H. Abele, S. Haeßler and A. Westphal, in 271th WE-Heraeus-Seminar, Bad Honnef (2002).
- [7] G. Dvali, arXiv:0706.2050 [hep-th]; *Int. J. Mod. Phys. A* **25** (2010) 602 [arXiv:0806.3801 [hep-th]]; G. Dvali and M. Redi, *Phys. Rev. D* **77** (2008) 045027 [arXiv:0710.4344 [hep-th]]; R. Brustein, G. Dvali and G. Veneziano, *JHEP* **0910** (2009) 085 [arXiv:0907.5516 [hep-th]].
- [8] G. Dvali and C. Gomez, *Phys. Lett. B* **674** (2009) 303.
- [9] I. Antoniadis and B. Pioline, *Nucl. Phys. B* **550** (1999) 41; I. Antoniadis, S. Dimopoulos and A. Giveon, *JHEP* **0105** (2001) 055 [arXiv:hep-th/0103033]; I. Antoniadis, A. Arvanitaki, S. Dimopoulos and A. Giveon, arXiv:1102.4043.
- [10] G. Dvali and D. Lust, arXiv:0912.3167 [hep-th]; G. Dvali and C. Gomez, arXiv:1004.3744 [hep-th].
- [11] I. Antoniadis and K. Benakli, *Phys. Lett. B* **326** (1994) 69.
- [12] I. Antoniadis, K. Benakli and M. Quirós, *Phys. Lett. B* **331** (1994) 313 and *Phys. Lett. B* **460** (1999) 176; P. Nath, Y. Yamada and M. Yamaguchi, *Phys. Lett. B* **466** (1999) 100 T. G. Rizzo and J. D. Wells, *Phys. Rev. D* **61** (2000) 016007; T. G. Rizzo, *Phys. Rev. D* **61** (2000) 055005; A. De Rujula, A. Donini, M. B. Gavela and S. Rigolin, *Phys. Lett. B* **482** (2000) 195.

- [13] G.F. Giudice, R. Rattazzi and J.D. Wells, *Nucl. Phys. B* **544** (1999) 3; E.A. Mirabelli, M. Perelstein and M.E. Peskin, *Phys. Rev. Lett.* **82** (1999) 2236; T. Han, J.D. Lykken and R. Zhang, *Phys. Rev. D* **59** (1999) 105006; K. Cheung, W.-Y. Keung, *Phys. Rev. D* **60** (1999) 112003; C. Balázs *et al.*, *Phys. Rev. Lett.* **83** (1999) 2112; J.L. Hewett, *Phys. Rev. Lett.* **82** (1999) 4765.
- [14] L.A. Anchordoqui, H. Goldberg, D. Lust, S. Nawata, S. Stieberger and T.R. Taylor, *Phys. Rev. Lett.* **101** (2008) 241803 [arXiv:0808.0497 [hep-ph]].
- [15] G.T. Horowitz and J. Polchinski, *Phys. Rev. D* **55** (1997) 6189.